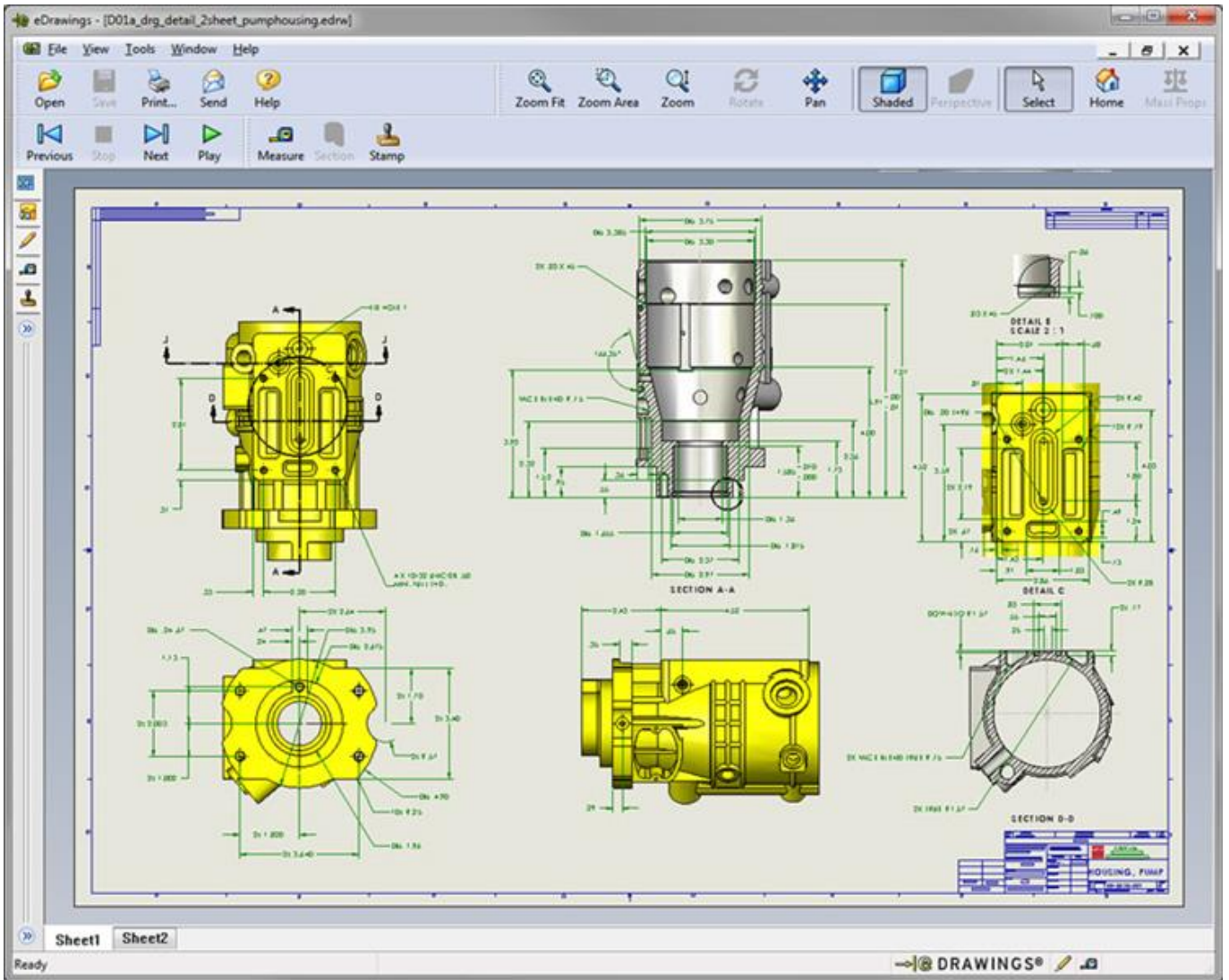




[Cad Software Free Download For Mac](#)



[Cad Software Free Download For Mac](#)

Download



Download BRL-CAD for free Open Source Solid Modeling CAD BRL-CAD is a powerful cross-platform constructive solid geometry solid modeling system that includes an interactive geometry editor, ray-tracing for rendering & geometric analyses, network distributed framebuffer support, image & signal-processing tools.

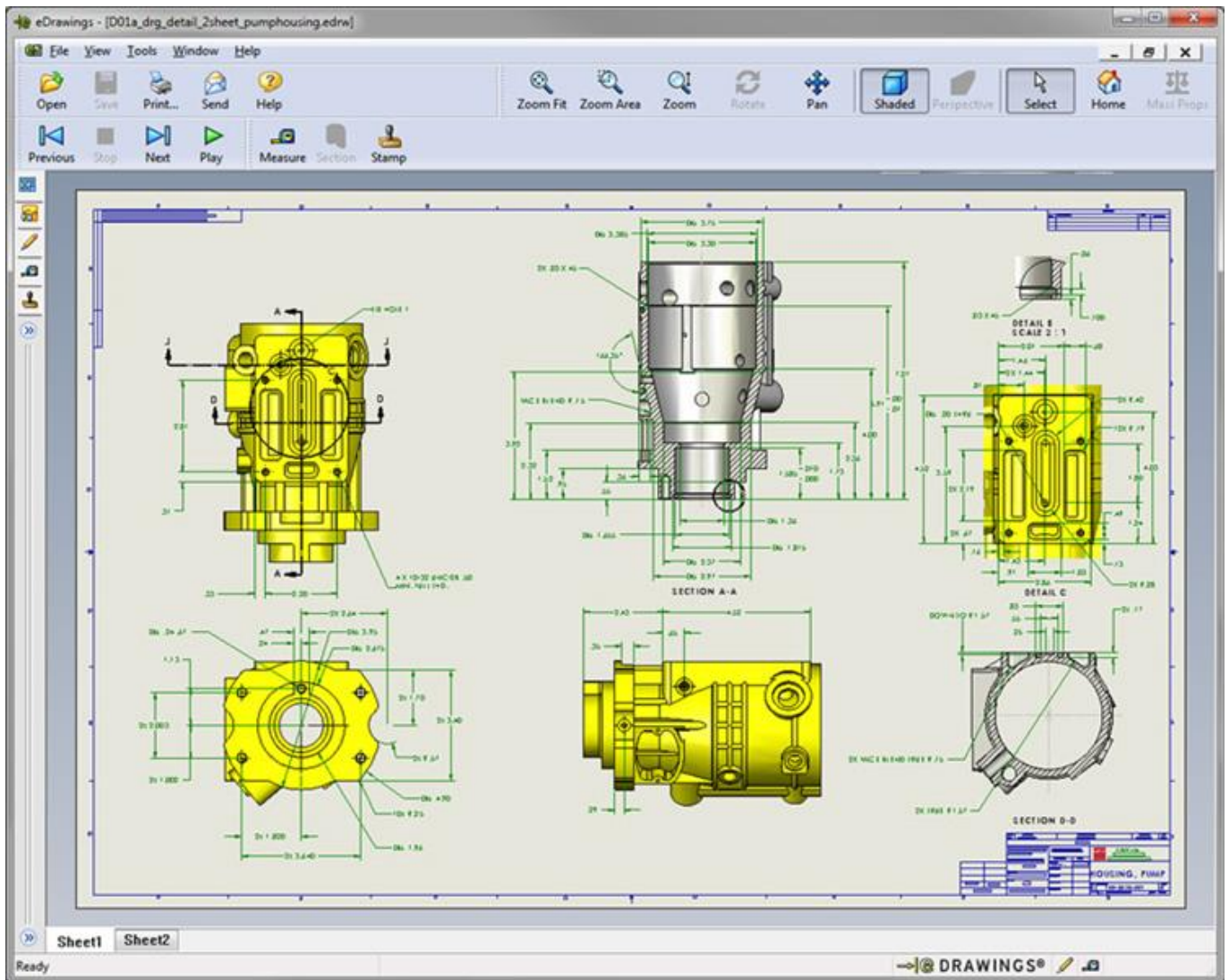
1. [software engineering](#)
2. [software update](#)
3. [software download](#)

Draft, annotate, and design 2D geometry and 3D models with solids, surfaces, and mesh objects; Automate tasks such as comparing drawings, adding blocks, creating schedules, and more.. Easily create 2D and 3D objects and make use of various geometrical shapes and define objects.. This powerful application has the ability to work with any kind of CAD designs It provides a reliable set of tools and complete command line support for accurate calculations.

software engineering

software engineering, software examples, software update, software, software download, software definition, software reporter tool, software developer, software architecture, software testing, software ag, software as a service [Can You Download Matlab On Mac](#)

Also, the application provides an intuitive ribbon-based user interface that helps the users to design almost all the physical parts.. Best Free Cad For MacBest Cad Software For MacAutocad software, free download For MacQCAD Trial for macOS 64bit macOS 10.. EDrawings Viewer enables anyone to quickly and easily view, print and review native eDrawings and SOLIDWORKS files in addition to AutoCAD DWG and DXF files. [Mkv 4k Player For Mac](#)



[Resident Evil 2 For Mac Download Free](#)

software update

[Pixellu Smart Albums Free Download Mac](#)

25 2 Download autocad 2015 for free Design & Photo downloads - AutoCAD by Autodesk Inc.. Also, draw custom shapes and create professional designs with a complete set of customizations to process the data.. And many more programs are available for instant and free download. May 2020 Best Free CAD Design Software for Mac Autodesk AutoCAD 2019 for Mac Review A powerful application to create professional looking CAD designs, Autodesk AutoCAD 2019 provides complete support for generating precise and accurate designs in nearly every field.. Free Autocad Software For Mac Best Cad Software For Mac Autocad software, free download For Mac Cad Software For Mac Cad Macro software, free download AutoCAD® is computer-aided design (CAD) software that architects, engineers, and construction professionals rely on to create precise 2D and 3D drawings. [S.ramakrishnan Books Pdf Free](#)

software download

[Baldur Gate Enhanced Edition Captain Brage](#)

Download Autodesk AutoCAD 2019 for Mac free latest version offline setup for macOS.. Get paid \$75 from the most popular CAD software provider AutoCAD when you sign up using our exclusive link.. 10-10 13 Disk Image Version 3 25 2: QCAD Trial for macOS 64bit macOS 10 14-10 15 Disk Image Version 3.. Autodesk AutoCAD 2019 is a powerful CAD application for getting highly precise designs for anything.. EDrawings is an email-enabled communication tool that dramatically eases the sharing of.. The Best Free CAD Software app downloads for Mac: Silhouette Studio Microspot DWG Viewer ZWCAD Viewer LogicWorks Autodesk AutoCAD DWG/DXF Converter Ra.. It is a professional solution for high precision and accurate designing This powerful application supports higher design flexibility.. EDrawings Viewer 4 2 1 eDrawings Viewer is the only CAD viewer for Mac which delivers a premier 3D viewing experience for non CAD professionals. 6e4e936fe3 [Serial Parallel Desktop 6 For Mac](#)

6e4e936fe3

[Star Wars Battlefront 2 Open Beta Download](#)